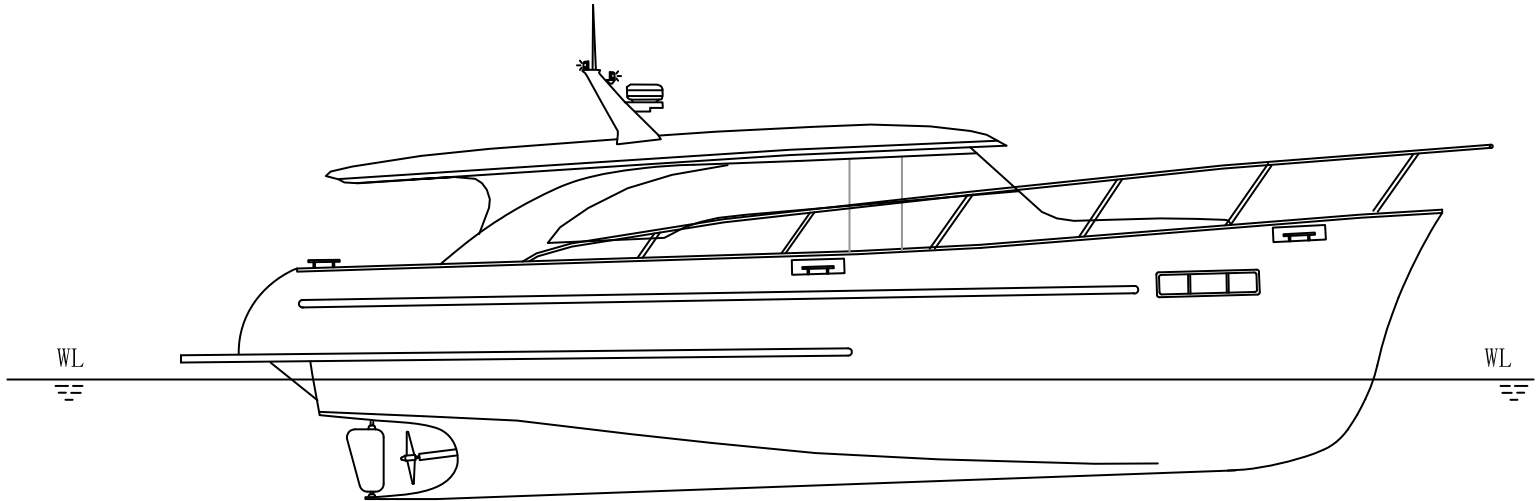




# INTEGRITY

*The ship for your life*

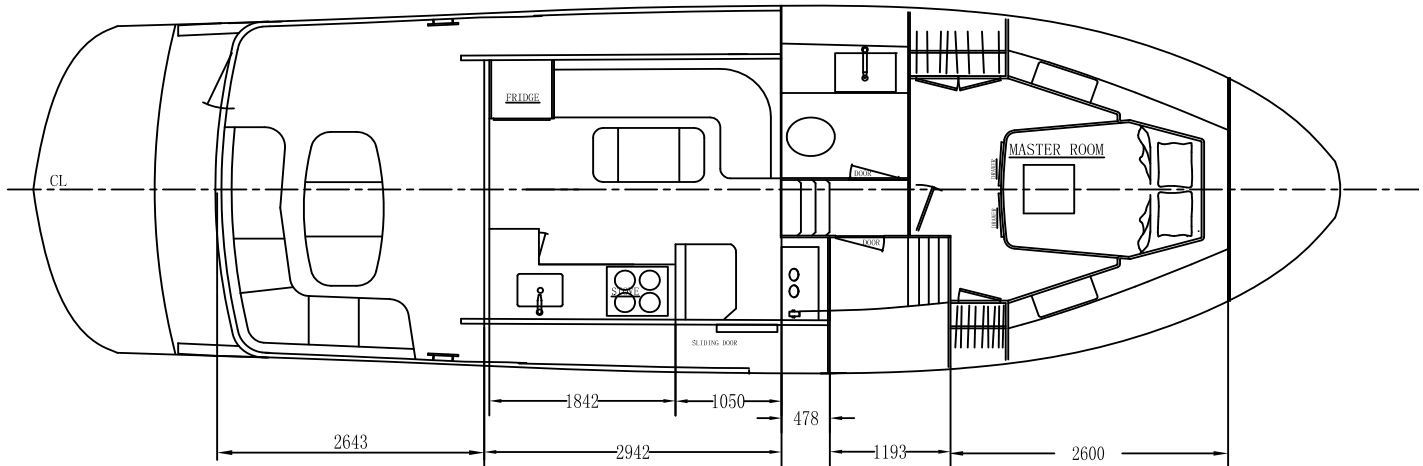
## INTEGRITY 390 Lobster



### SPECIFICATIONS

Length 11.70 m  
 Beam 4.10 m  
 Draft 1.16 m  
 Displacement 11.000 kg

Fuel Capacity 1135 Litres  
 Water Capacity 530 Litres  
 Holding tank 175 Litres  
 Construction Hand laid fibreglass



320ES - 350 S - 380 S - 380 F - 440S - 440F - 47XL - 47XL F - 490 GS - 490 RPH

# INTEGRITY 390 Lobster - STANDARD EQUIPMENT

- \*JDeere 225HP engine equipped with heat exchangers for freshwater cooling, ZF gearbox
- \*Engine overheat & low oil pressure alarms
- \*Complete engine instrumentation at control station
- \*Groco internal sea water strainer
- \*Racor FG fuel filter
- \*Drippan under the engine
- \*Stainless steel prop shaft
- \*P.Y.I.dripless stern gland
- \*Right handed bronze propellor 4 bladed
- \*Rudder fibreglass blade/s.s. shaft
- \*Hydralift wet box mufflers
- \*Hydraulic steering

- \*Engine room blower & air intake vents
- \*Engine room sound proofing material
- \*3x12VDC 1500GPH electric bilge pumps with float switches and manual/auto switching
- \*Manual bilge pump
- \*Fuel manifold system with dedicated supply, return and bypass valves

- \*2xFuel tanks welded aluminium with built-in sumps hand hole cleanout ports & sight gauges
- \*Water tank welded stainless steel with sight gauges
- \*Morse engine throttle & gear box controls
- \*Sea cocks on all through hulls at or below water line
- \*Quick 40 litre 240VAC hot water heater

- \*Jabsco 12VDC Pressurized fresh water system

## HARDWARE

- \*Anchor platform with roller
- \*Windows in aluminium,selected windows slide
- \*Cleats 2 bow,2 midships,2 aft with chocks or fair leads s/s
- \*Teakcockpit and swimplatform teak insert
- \*Cockpit seating &storage
- \*Deck hatch over frontcabin with insect screen
- \*Windows fix tint glass
- \*Door locks on all saloon doors with keys
- \*Horn electric
- \*Swim platform and solid "D" section rub rail
- \*Deck rails stainless steel & bowstaff
- \*Transom & P&S gates
- \*3xWindscreen wipers and fresh water washer to front windcreens
- \*International navigation lights
- \*Accomodation ceiling lights
- \*12VDC reading lights in cabins
- \*Cabin door locks etc
- \*Transom hot and cold fresh water shower
- \*4 step folding s/s swim ladder

## ELECTRICAL SYSTEM & COMPONENTS

- \*40Amp battery charger
- \*2 Heavy duty 150A hour engine starting & lightning batteries in FG battery boxes

- \*Engine batteries parallel for emergency starting
- \*Bonding systems with zinc anode
- \*Customized paneltronics electrical panel utilizes approved circuit breakers and is fitted with polarity indicator light,ship/shore switch,back lightning,integrated AC and DC volt/amp meters and is concealed behind a lockable door or a similar main switch panel
- \*Wiring colour coded & numbered
- \*Engine hour and volt meter
- \*Stereo speakers
- \*Electrical outlets to galley & each cabin
- \*Ship to shore dock side inlet fitting with integrated galvanic isolator (15Amp)
- \*Battery selector switch,light/engine
  - \* Onan generator 4Kw

## SALOON

- \*Hi-Lo table can be made into bed
- \*Teak & holly sole floor
- \*Hatch access to engine room
- \*Helm station with 26"steering wheel & morse controls & instrumentation
- \*Sliding helmdoor
- \*Headlining white acoustic vinyl
- \*Overhead LED lights 12 volt
- \*All furniture & bulkheads are teak or other wood(choice)

## GALLEY

- \*Electric stove/plates
- \*Galley unit with white counter top
- \*Stainless steel sink with cover & single lever faucet
- \*Under counter 12VDC/240VAC refrigerator
- \*Drawers and cabinets under counter
- \*Exhaust blower
- \* S/S &glass hopper windows

## MASTER STATEROOM

- \*Island bed
- \*Wardrobes with auto lights
- \*Teak &holly sole floor
- \*Teak or other wood bulkheads & furniture
- \*Heading white acoustic vinyl
- \*Reading lamps swivel type 12 volt
- \*Overhead LED lights 12 volt

## HEADS/SHOWER ACCESS

- \*Shower sole with built in automatic sullage system.Head and shower separate cabins
- \*Vanity unit fitted with s/s or ceramic wash bassin in white counter top
- \*Single lever shower & sink H&C water
- \*Mirror &Skylight
- \*Jabsco macerator, with elec. toilet
- \*Exhaust blower
- \*Overhead LED lights 12 volt
- \*175 Litres holding tank with Y-valve,
- \*Jabsco macerator pump,deck discharge outlet, inspection port to tank in engine room

- \*Hull bottom antifouled
- \*GRP cap rails
- \*Emergency tiller
- \*Aft deck seats with cushionings and storage under
- \*Owners manual

## OPTIONS

- \*search light
- \*Bow & stern thrusters
- \*Deck wash fresh water mounted at aftdeck
- \*Wifi antenna &TV Glomex
- \*Webasto heating
- \*Microwave
  
- \*Inverter Victron
- \*Gas cooker
- \*Corian counter tops
- \*Fusion soundsystem &TV
- \*Teak deck
- \*Anchor electric winch
- \* CQR Anchor +chain stainless S
- \* Fusion stereo
- \* Navigation electronics
- \*Double glazing
- \*Double Racor fuelfilters
- \*Upholstery in leather

DEALER



[www.integritytrawlers.nl](http://www.integritytrawlers.nl)